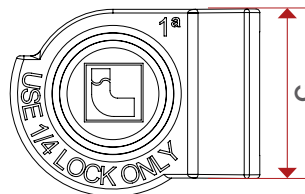
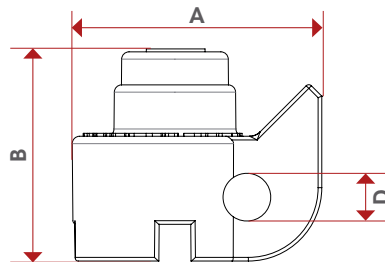


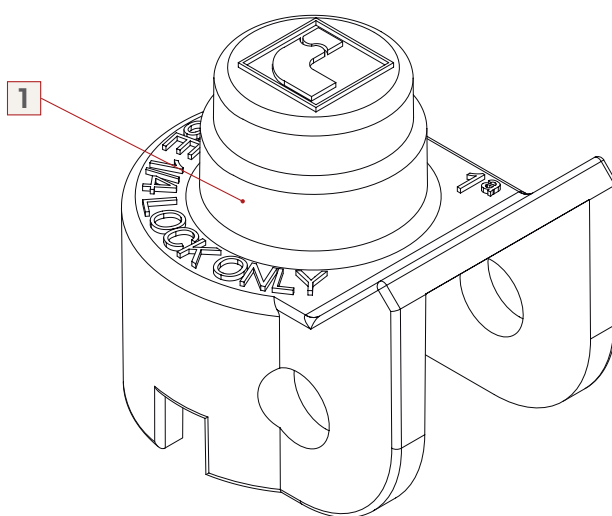
084LK



TEC

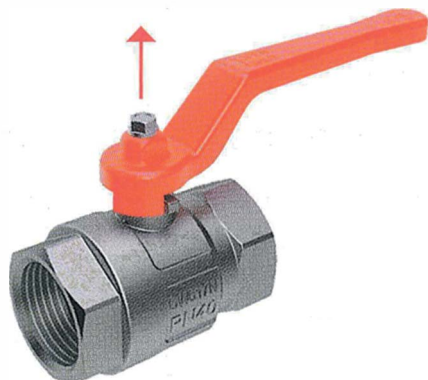


	1°	2°	3°
A	34	35	38
B	28,9	29,9	30,9
C	25,5	27	29,5
D	6,5	6,5	6,5

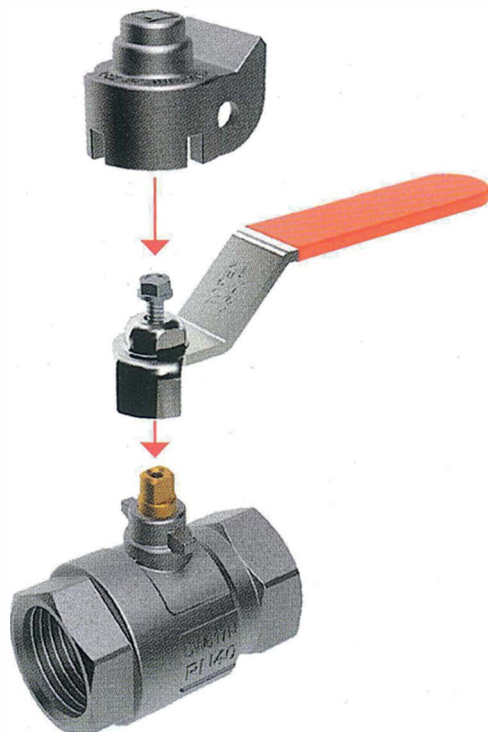


Pos.	DESCRIZIONE / DESCRIPTION	Qt.	MATERIALE / MATERIAL
1	Blocco per leva piatta lucchettabile / Locking device for lockable flat lever handle	1	Alluminio zincato ZnAl4 (Zama 3) / Zinc-plated aluminium ZnAl4 (ZamaK 3)

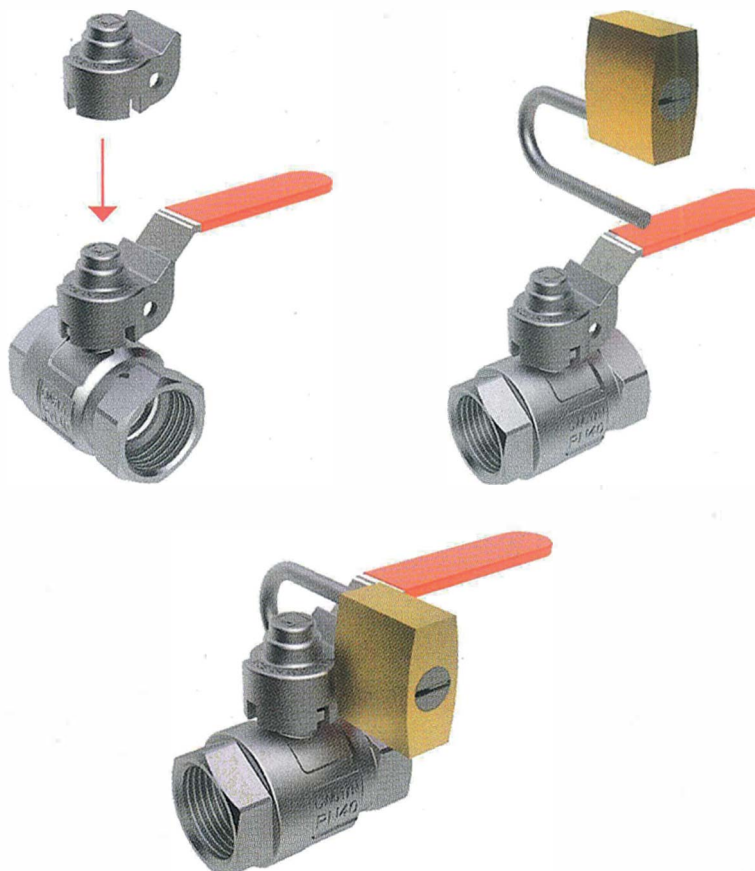
1. Remove the handle from the valve, when you want to have a lockable valve.



2. Replace the handle with the corresponding flat lever handle, in order to have a lockable valve.



3. Place and lock the locking device either on the open or on the shut-off valve.



4. Place and lock the locking device either on the open or on the shut-off valve.



INSTALLATION LOCKING DEVICE FOR LOCKABLE FLAT LEVER HANDLE

The device is to be used on valves and biblocks with flat lever handle.

When the valve is not equipped with a flat lever handle, it is possible to replace the standard handle as shown in this catalogue, in order to have a lockable valve.